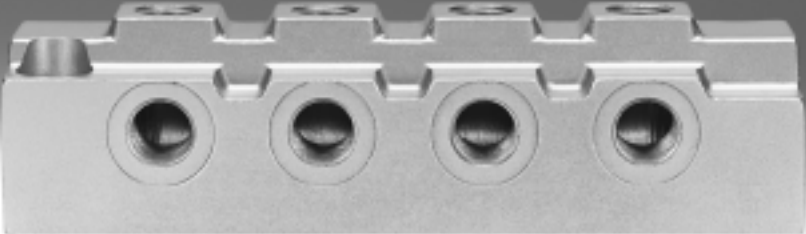




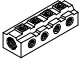


Distribution manifolds FR



# Distribution manifolds FR

Product range overview



Series	Design	Type	Pneumatic connection		Number of		→ Page/ Internet
			1	2	Supply lines	Outlets	
Distribution manifold	<b>With 4 connections</b>						
		FR-4	Female thread G $\frac{1}{8}$	Female thread G $\frac{1}{8}$	1	3	3
			Female thread G $\frac{1}{4}$	Female thread G $\frac{1}{4}$			
			Female thread G $\frac{3}{8}$	Female thread G $\frac{3}{8}$			
			Female thread G $\frac{1}{2}$	Female thread G $\frac{1}{2}$			
		FR-4- $\frac{1}{4}$	Female thread G $\frac{1}{4}$	Female thread G $\frac{1}{4}$	1	3	3
	<b>With 8 connections</b>						
		FR-8	Female thread G $\frac{3}{8}$	Female thread G $\frac{1}{8}$	2	8	4
			Female thread G $\frac{1}{2}$	Female thread G $\frac{1}{4}$			
			Female thread G $\frac{3}{4}$	Female thread G $\frac{1}{2}$			
<b>With 9 connections</b>							
	FR-9	Female thread G $\frac{1}{8}$	Female thread M3	1	9	5	
<b>With 12 connections</b>							
	FR-12	Female thread G $\frac{1}{8}$	Female thread M5	2	12	5	

Operating and environmental conditions						
Type	FR-4	FR-4- $\frac{1}{4}$	FR-8	FR-9	FR-12	
Operating pressure complete [bar]	0 ... 16					
Operating medium	Compressed air according to ISO 8573-1:2010 [7:-:-]					
Note on operating/pilot medium	Lubricated operation possible (in which case lubricated operation will always be required)					
Ambient temperature [°C]	-10 ... +80		-10 ... +60		-10 ... +60	
Corrosion resistance class CRC <sup>1)</sup>	-	2	-	2	2	

1) Corrosion resistance class CRC 2 to Festo standard FN 940070  
Moderate corrosion stress. Indoor applications in which condensation may occur. External visible parts with primarily decorative requirements for the surface and which are in direct contact with the ambient atmosphere typical for industrial applications.

# Distribution manifolds FR

Technical data

## Distribution manifold FR-4

No. of supply lines: 1

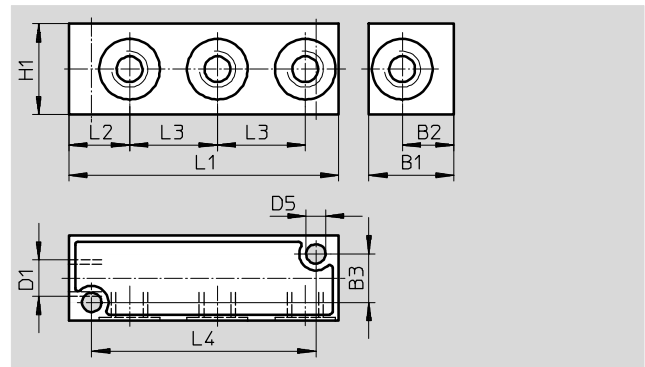
No. of outlets: 3

Material:

Die-cast aluminium

Note on materials:

RoHS-compliant



Dimensions										
Type	B1	B2	B3	D1	D5	H1	L1	L2	L3	L4
FR-4-1/8-B	20	11.6	13	G1/8	4.4	17	56	13.5	17	46
FR-4-1/4-C	28	17	16	G1/4	6.4	30	89	20	29	74
FR-4-3/8-B	32	19	20	G3/8	6.4	26	85	20	26	72
FR-4-1/2-B	38	22	25	G1/2	6.4	32	105	25	32	90

Ordering data					
Pneumatic connection		Nominal size	Weight	Part No.	Type
Female thread 1	Female thread 2	[mm]	[g]		
G1/8	G1/8	8.6	25	6701	FR-4-1/8-B
G1/4	G1/4	11.5	60	7849	FR-4-1/4-C
G3/8	G3/8	15	75	6703	FR-4-3/8-B
G1/2	G1/2	18.6	120	6704	FR-4-1/2-B

## Distribution manifold FR-4-1/4

No. of supply lines: 1

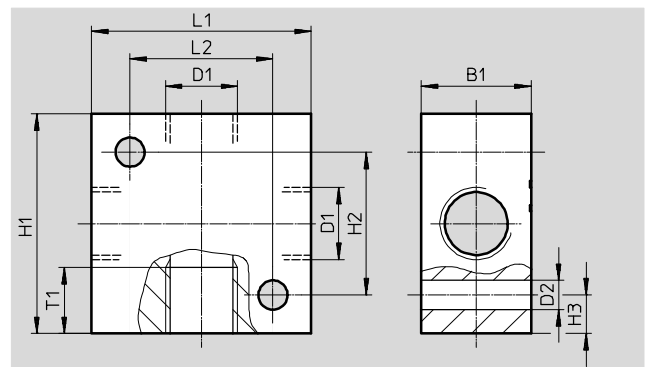
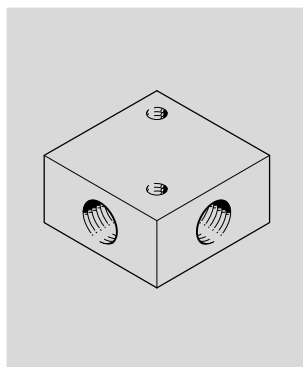
No. of outlets: 3

Material:

Anodised aluminium

Note on materials:

RoHS-compliant



Dimensions									
Type	B1	D1	D2 Ø	H1	H2	H3	L1	L2	T1
FR-4-1/4	20	G1/4	5.3	40	26	7	40	26	12

Ordering data					
Pneumatic connection		Nominal size	Weight	Part No.	Type
Female thread 1	Female thread 2	[mm]	[g]		
G1/4	G1/4	11.5	68	2960	FR-4-1/4

# Distribution manifolds FR

Technical data



## Distribution manifold FR-8

No. of supply lines: 2, including one sealed with a blanking plug

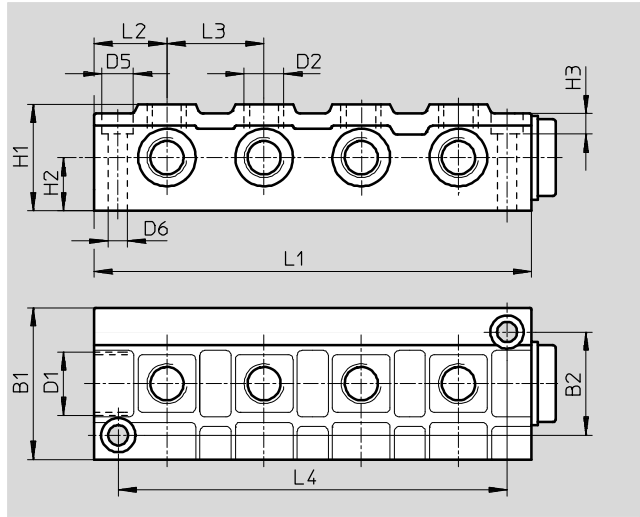
No. of outlets: 8

Material:

Die-cast aluminium

Note on materials:

RoHS-compliant



Dimensions													
Type	B1	B2	D1	D2	D5 Ø	D6 Ø	H1	H2	H3	L1	L2	L3	L4
FR-8-1/8	40	26	G3/8	G1/8	11	6.6	30	15	6.8	114	22.5	23	100
FR-8-1/4	50	34	G1/2	G1/4	11	6.6	35	17.5	6.8	144	24	32	128
FR-8-1/2	60	40	G3/4	G1/2	15	9	45	22.5	9	170	31	36	150

Ordering data					
Pneumatic connection		Nominal size	Weight	Part No.	Type
Female thread 1	Female thread 2	[mm]	[g]		
G3/8	G1/8	8.6	135	2077	FR-8-1/8
G1/2	G1/4	11.5	230	2078	FR-8-1/4
G3/4	G1/2	18.6	1000	6411	FR-8-1/2

# Distribution manifolds FR

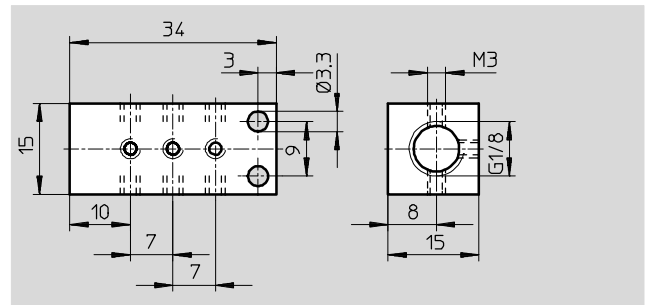
Technical data

## Distribution manifold FR-9

No. of supply lines: 1  
No. of outlets: 9

Material:  
Anodised aluminium

Note on materials:  
RoHS-compliant



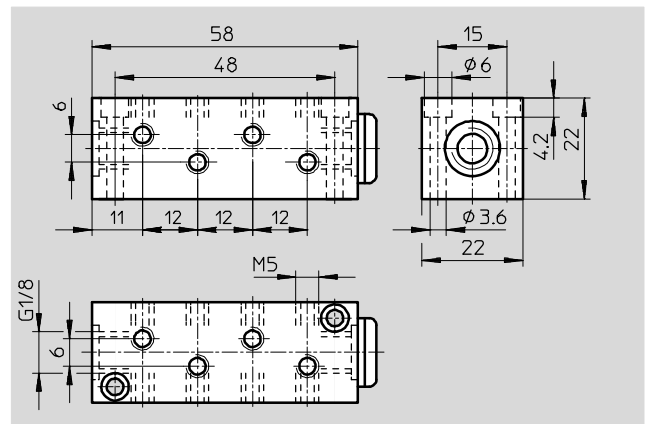
Pneumatic connection		Nominal size	Weight	Part No.	Type
Female thread	Female thread	[mm]	[g]		
1	2				
G1/8	M3	2.5	15	30981	FR-9-M3-B

## Distribution manifold FR-12

No. of supply lines: 2, including one sealed with a blanking plug  
No. of outlets: 12

Material:  
Anodised aluminium

Note on materials:  
RoHS-compliant



Pneumatic connection		Nominal size	Weight	Part No.	Type
Female thread	Female thread	[mm]	[g]		
1	2				
G1/8	M5	4.1	40	4525	FR-12-M5